

COMPANY OVERVIEW

Consulting Specialties: Aerospace Propulsion, Spacecraft Fluid Components, System Engineering and Integration, Alternative Engine Cycles (Ericsson, Brayton, Stirling Organic Rankine), Liquid and Air Cooled Electronics Optimization, Thermal Control Systems, Alternative Fuels, Conventional Power plants (Internal Combustion Engines and Emissions), Cryogenics, Fuel Cell Power Plants, Gas Turbine Powerplants, Heat Exchangers and Recuperators, Hydrogen Storage and Distribution, and Photovoltaic Power.

PSC CODES

AC12 - R&D- Defense System: Aircraft (Applied Research/Exploratory Development)

AC14 - R&D- Defense System: Aircraft (Engineering Development)

AC22 - R&D- Defense System: Missile/Space Systems (Applied Research/Exploratory Development)

AC24 - R&D- Defense System: Missile/Space Systems (Engineering Development)

R408 - Support- Professional: Program Management/Support

R425 - Support- Professional: Engineering/Technical

DIFFERENTIATORS

- Extensive Experience in Aerospace Projects from Initial Proposal to Operational Flight with Boeing and Rockwell.
- Alternative Energy experience with Photovoltaics; Brayton, Stirling and Organic Rankine Engines; and Heat Exchangers.
- Ability to provide rapid analytical model development and provide results to guide the project.
- Innovative Approaches demonstrated by 5 U.S. Patents.

PROE POWER SYSTEMS, LLC

5072 Morning Song DR Medina,
Ohio 44256-6747,
United States

UEI: **U55NJ6S474C4**

CAGE Code: **1WC45**



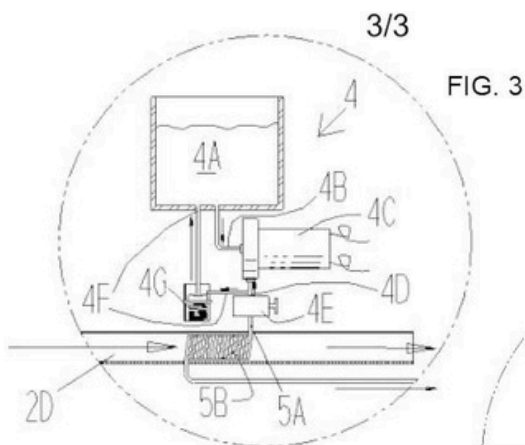
NAICS CODES

Primary NAICS: 541330 - Engineering Services

Secondary NAICS: 541690 - Other Scientific And Technical Consulting Services

CORE COMPETENCIES

- Hardware Development
- Rapid Computer Simulation Model Development
- CAD Modeling
- System Engineering
- Supplier Management
- Applied Thermodynamics
- Fluid Mechanics
- Heat Transfer



US PATENT
8,858,223 B1

